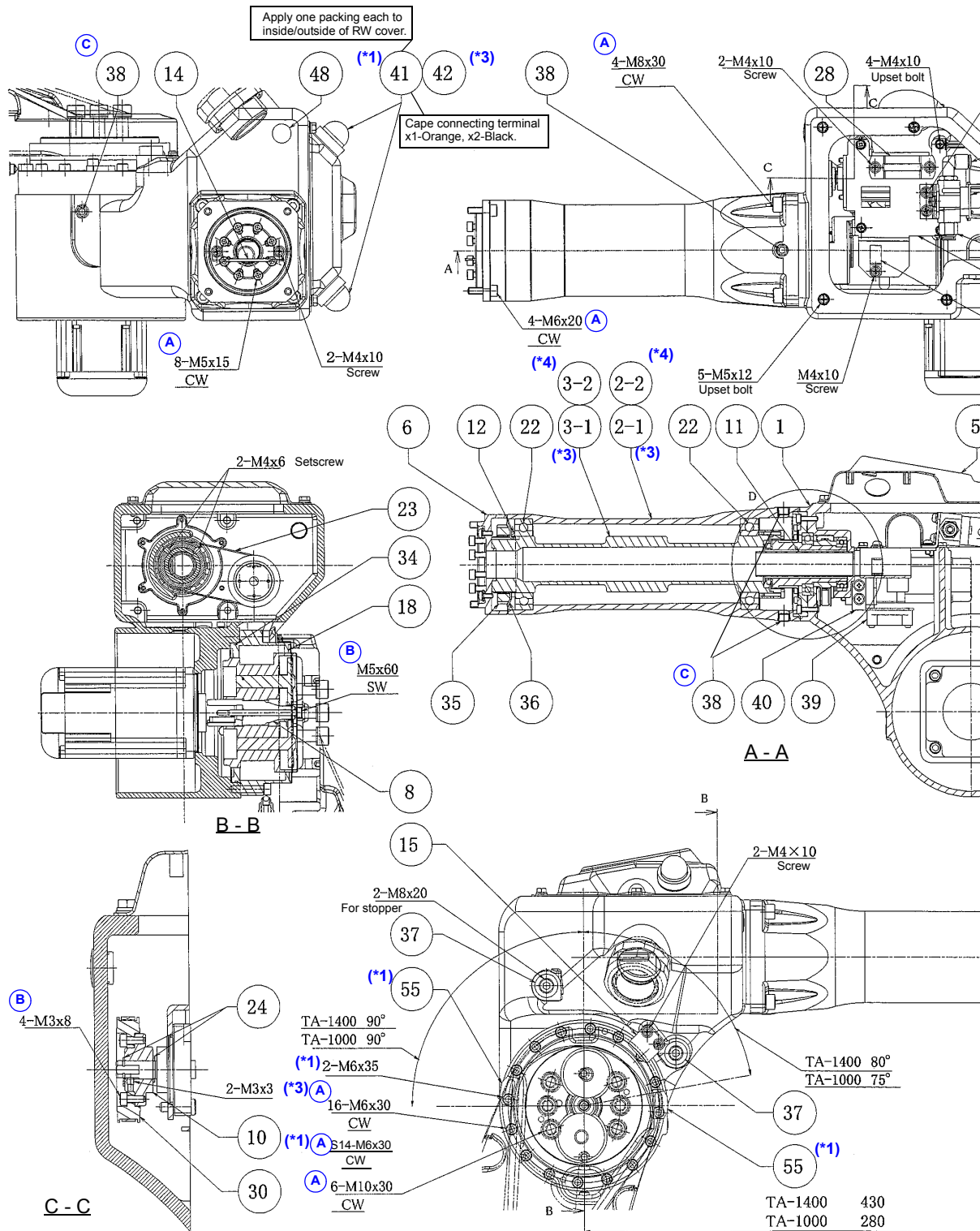


10.3 FA and RW axes





## 10.4 FA/RW-axis parts list

No.	Part name	Part number	Q'ty	Note	Class
1	RW body	ADA11090	1		D
2-1	RW housing	ADH22010	1	TA-1400	D
2-2	RW housing S	ADH22011	1	TA-1000	D
3-1	RW shaft	ADS25002	1	TA-1400	D
3-2	RW shaft S	ADS32010	1	TA-1000	D
4	Motor plate	AFM24007	1		D
5	RW cover	ADK25006	1		D
6	Output flange	AFP32018	1		D
7	HDC housing	AFP32019	1		D
8	Input gear 20	ADG32013	1		B
9	Pully H	ADW41065	1		B
10	Pully shaft M	ADS41069	1		D
11	Inner tube17	AGG41056	1		D
12	Collar	AMK41059	1		D
13	Valve fixing bracket	AKC41061	1		D
14	RWH fixing bracket	AFM41664	1		D
15	Marking plate	AKC41092	1		D
16	Servo motor	TS4613N8323	1	FA axis	C
17	Servo motor	TS4603N8023	1	RW axis	C
18	RV20E reduction gear	25E033J0	1	FA axis	C
19	Harmonic	HG1780QR61R	1	RW axis	C
20	Radial bearing	6906ZZ	1		B
21	Radial bearing	6907Z	1	Previous type: 6907ZZ <a href="#">Note1)</a>	B
22	Radial bearing	6010ZZ	2		B
23	Timing belt	060S3M264	1		A
24	Snap ring	STW8	2		A
25	V ring	V28ANC	1		A
26	Gas valve	J540-738	1	<a href="#">Note2)</a>	A
27	Fingertip joint	KQL06-02S	1		D
28	PLICA saddle	SP24N	1		D
29	Nylon clamp	NK4N	1		A
30	Pully H	ADW41060	1		B
31	Snap ring	STW28	1		A
32	Union	KQH08-02S	1		D
33	O ring	S90NBR	1		A
34	O ring	S120NBR	1		A
35	Bearing nut	AN10	1		D
36	Bearing washer	AW10	1		A
37	Stopper 4	ABQ40015	2		D
38	Sunk plug	SP1/8B	3		D
39	Fan	EUDC24B4-944	1		C
40	RW fan fixing bracket	AFM41675	1		D

No.	Part name	Part number	Q'ty	Note	Class
41	Hole plug	CP30HP11	2		D
42	Indicator lamp	DM22K0LE03Y	2	E/U types only	A
43	Fixing plate	AFM41669	1	WG type only	D
44	Connecting pipe	ADS41071	1	WG type only	D
45	Radial Bearing	6906LLU	2	WG type only	B
46	Snap ring	STW30	1	WG type only	A
47	O ring	C00618A	1	WG type only	A
48	Hole plug	CP30HP6	1	WG type only	D
49	Conversion card 1	ZUEP57332	1	G2/GX types only	C
50	Feeder holder	AWC32793	1	G2/GX types only	D
51	Connector mounting plate	AFP41198	1	G2/GX types only	D
52	Bucklehead union	KQ2E06-00	1	G2/GX types only	D
53	Plug	KQ2P06	1	G2/GX types only	D
54	Clamp filter	ZCAT30351330	2	G2/GX types only	D
55	Limit dog R20	ASM41042	2	E/U types only	D

**Note1)** 6907ZZ(previous type): Double shielded type. It is not necessary to apply grease in assembling.  
6907Z: Single shielded type. It is necessary to apply grease in assembling.

**Note 2)** Handling specifications of G2 series robots are not equipped with the gas valve.

<Class>

A: Consumable parts, rather short replacement cycle.

B: Assemblies and parts of high frequency in motion.

C: Important electric parts.

D: Parts rather long replacement cycle.

Note	About <Details of "D">
	<p>Assemble the harmonic and other parts indicated in the figure &lt;Details of "D"&gt; as per below instructions before mounting on to the "D" part.</p> <p>(1) Attach the flexspline to the HDC housing (AFP32019).</p> <p>(2) Insert the flexspline into the wave generator.</p> <p>(3) Attach bearing (9607ZZ), pulley H (ADW41065) and bearing (6906ZZ) to the wave generator in this order.</p>